

www.CRE-Marine.com
Tel: + 44 01224 872 445
Fax: + 44 01224 873 710
Email: sales@CRE-Marine.com



‘A’ Class Expanded Beam Connector System Subsea / Underwater / Marine



'A' Class Expanded Beam Connector System Subsea / Underwater / Marine

Introduction:

CRE's range of metal shell Fibre Optic Fully Sealed Hermaphroditic Connectors focus on delivering high reliability in tough environments. The design offers a high integrity sealing arrangement, metal keyways, multiple options on size, along with our ability to design specific solutions for your application. They are designed for heavy duty use in the most rigorous underwater applications on the planet. Made of 316 stainless steel or custom built with any material specified, they come as standard with high open face pressure resistance. These robust and versatile connectors are rated to 4,000m and are designed for use with moulded or oil filled assemblies and tailored for the heaviest power, signal and electro-mechanical applications.

The most common applications:

- ROV
- Dive Bell Connectors
- Underwater Thruster

• **Key Features:**

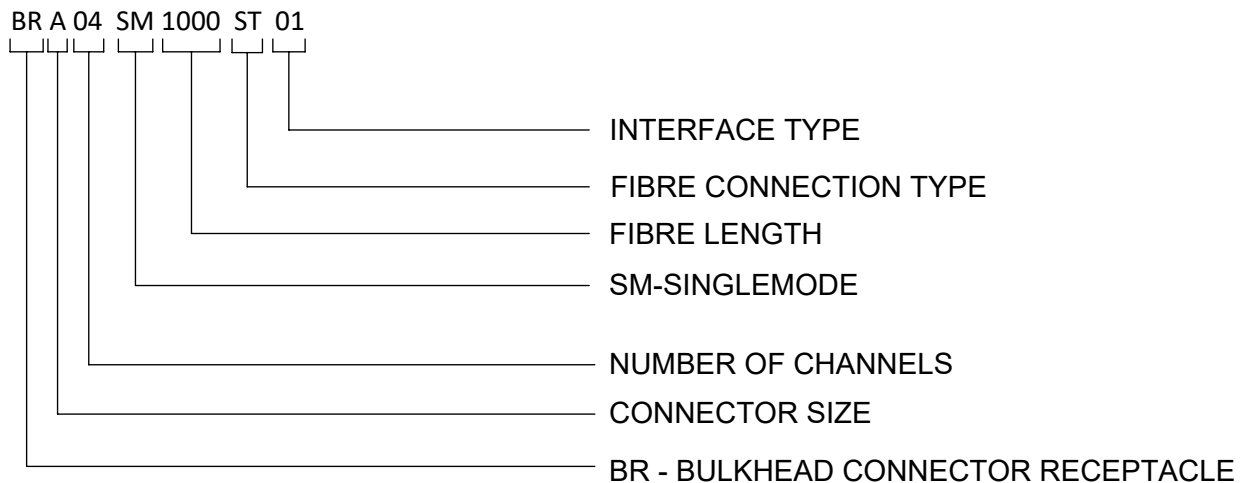
- Multi size shell body
- 1 to 4 Channel Configurations
- Multimode 50/125 and 62.5/125 versions
- Singlemode 9/125 Fibre
- Available as Patchcords and Pigtailed Bulkheads
- Right angled Plug End also available
- Pressure up to 6000 Psi (Mated)
- Open face pressure up to 6000 Psi
- Oil filled available as standard (OF)
- Tails with connections to suit (ST/SC/ etc.)



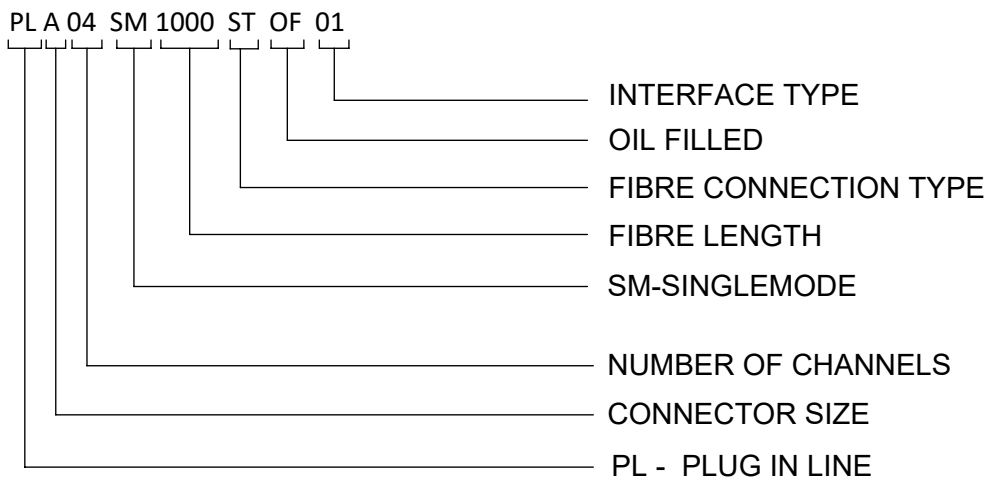
Options:

- Field Installable
- Bespoke design/configuration to suit customer requirements at no extra cost
- Available in alternative materials: Aluminium, Titanium etc.
- **Testing:**
 - Pressure testing up to 6000 Psi
 - Durability testing with 100 mate and re-mate cycles
 - Open face pressure testing up to 6000 Psi

Part Numbering System - Bulkhead Example



Part Numbering System - Connector Example





Standard Mechanical Specification:

COMPONENT	MATERIAL
Shell Body	Stainless Steel 316L
Retaining Nut	Stainless Steel/Aluminium Bronze
'O' Rings	Nitrile NI70

Contact CRE for special order materials.

Electrical and Enviromental:

- Singlemode Insertion Loss: 9/125 Fibre @ 1,310nm/1,550nm : Up To 2.0dB
- Multimode Insertion Loss: 50/125 & 62.5/125 @850nm/1300nm : Up To 1.0dB
- Operating Temperature: -40C to + 85C
- Storage Temperature: -55C to + 85C
- Durability: 2000 Matings minimum
- Depth Rating: 4000 Meters

Fibre Characteristics:

Singlemode - 9/125 (SM)

- Attenuation: 0.38dB/km @ 1,310nm
- Attenuation: 0.25dB/km @ 1,550nm
- Dispersion: 3.5ps/nm.km @ 1310nm
- Dispersion: 18.0ps/nm.km @ 1,550nm
- NA: 1.470

Multimode - 50/125 (MM)

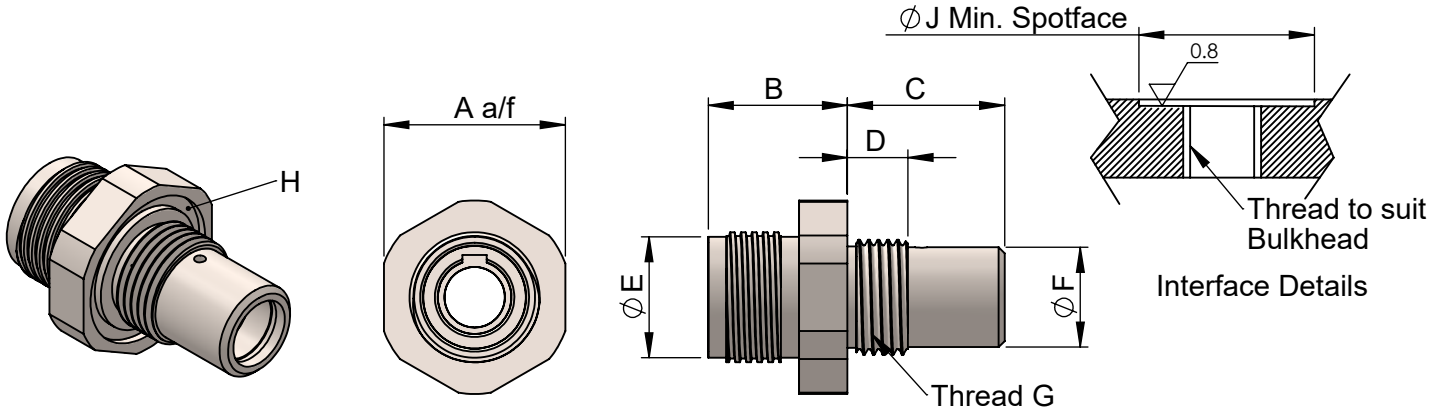
- Attenuation: 2.8dB/km @ 850nm
- Attenuation: 0.8dB/km @ 1,300nm
- Bandwidth: 500MHz/km @ 850nm
- Bandwidth: 500MHz/km @1,300nm
- NA: 0.20
-

Multimode - 62.5/125 (MM)

- Attenuation: 3.0dB/km @ 850nm
- Attenuation: 1.0dB/km @ 1,300nm
- Bandwidth: 200MHz/km @ 850nm
- Bandwidth: 500MHz/km @1,300nm
- NA: 0.27
-

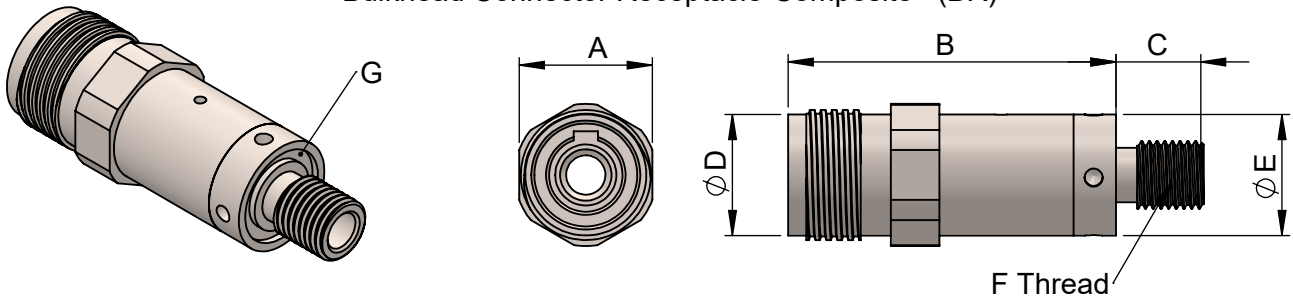
Reference Dimensions 'A' Fibre Connector

Bulkhead Connector Receptacle (BR)



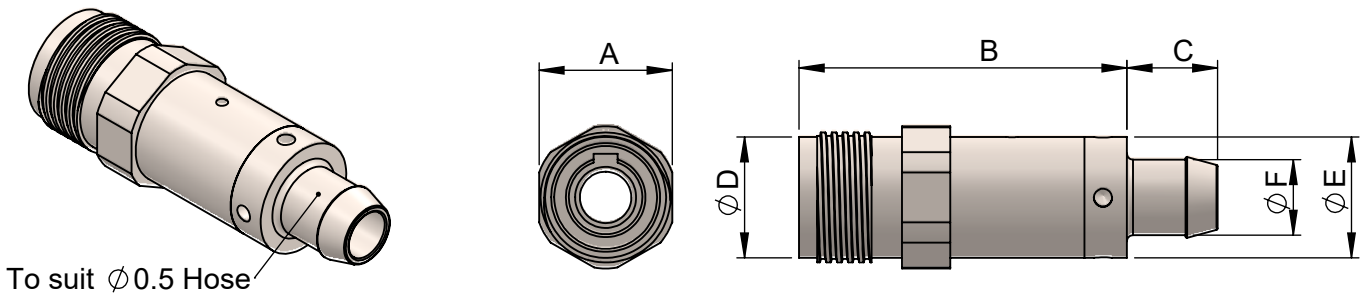
B	C	D	A	E	F	G	H-O'Ring	J	TYPE
23	26	10	30	20	13.75	5/8"-18 UNF-2A	BS020	34	01
23	26	10	30	20	16.5	3/4"-16 UNF-2A	BS020	34	02
23	26	10	26	20	13.75	5/8"-18 UNF-2A	BS018	34	06
23	26	10	30	20	16.5	13/16"-20 UNEF-2A	BS020	34	07

Bulkhead Connector Receptacle-Composite (BR)



A	B	C	D	E	F	G-O'Ring	J	TYPE
22	54.2	14.5	20	20	7/16"-20 UNF-2A	BS014	22	03
22	55.2	14.5	20	24	5/8"-18 UNF-2A	BS017	26	04

Bulkhead Connector Receptacle-Composite (BR)

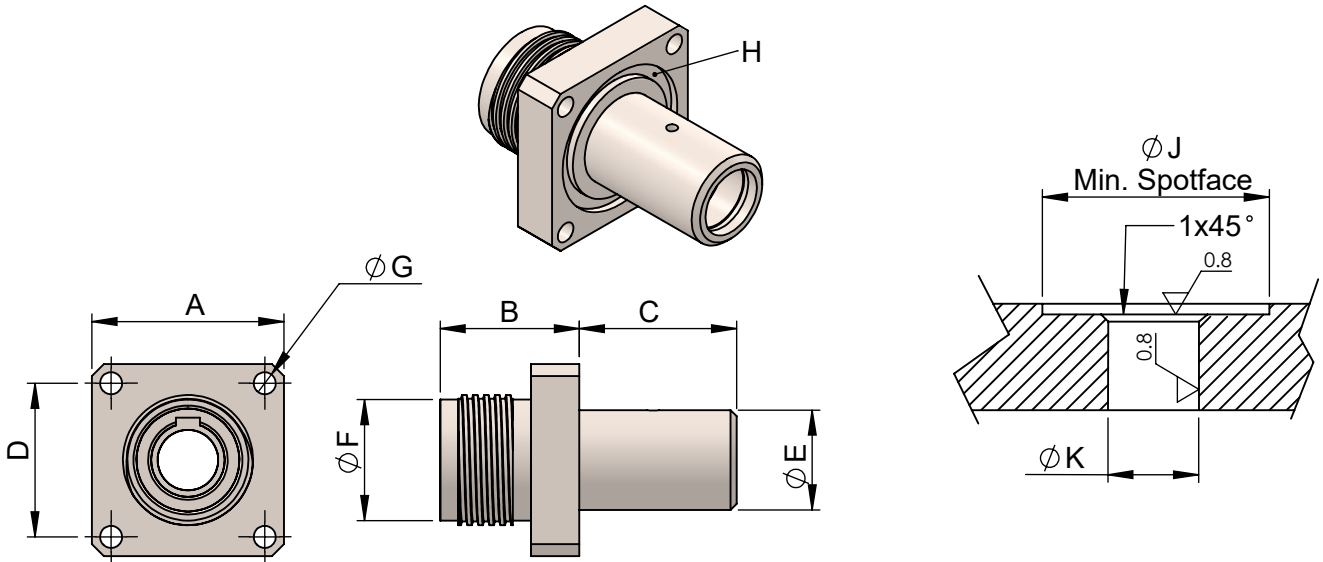


A	B	C	D	E	F	J	TYPE
22	54.2	14.5	20	20	12.5	22	05

NOTE: For recommended Torque figures please refer to page 13

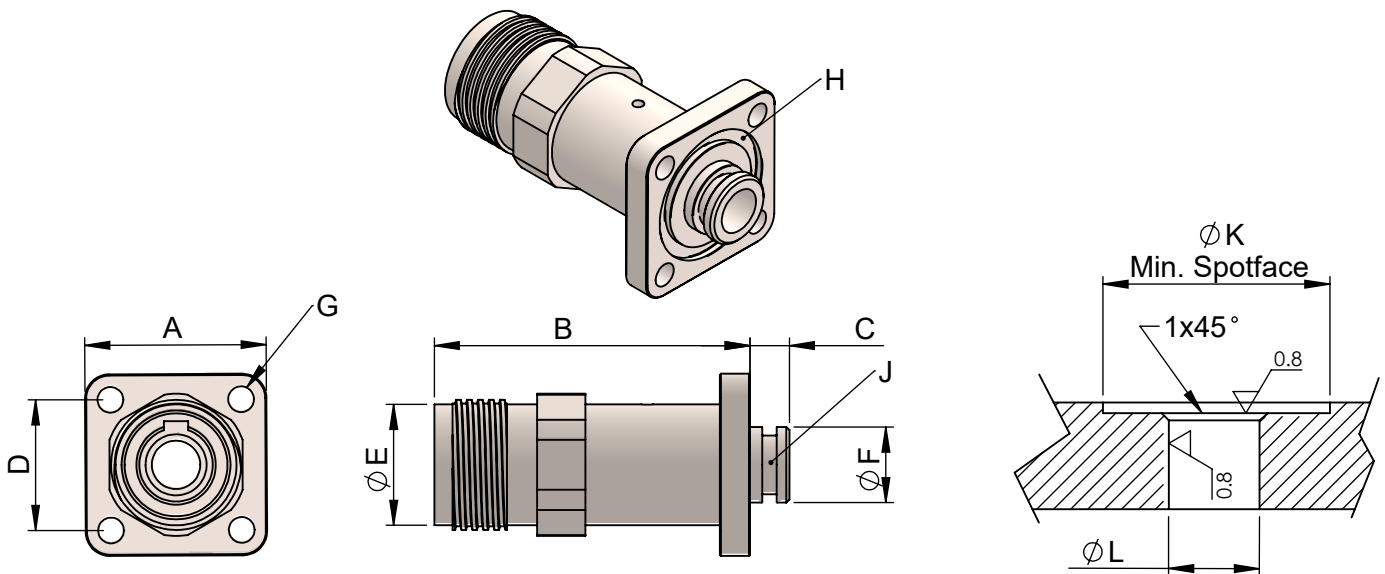
Reference Dimensions 'A' Fibre Connector

Flanged Bulkhead Connector Receptacle (FR)



A	B	C	D	E	F	G	H-O'Ring	J	K	TYPE
31.75	23	26	25.4	16.5	20	3.65	BS020	45	16.6/16.65	01
38	23	26	25.4	16.5	20	5.6	BS116	55	16.6/16.65	03

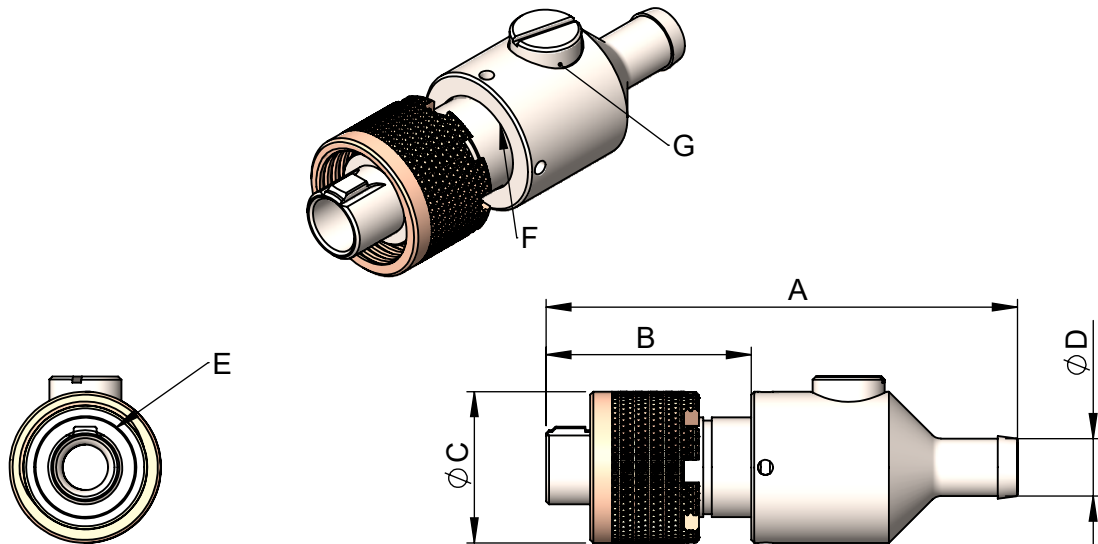
Flanged Bulkhead Connector Receptacle-Composite (FR)



A	B	C	D	E	F	G	H-O'Ring	J-O'Ring	K	L	TYPE
30	52.2	6.5	21.6	20	12.5	4.25	BS018	BS012	45	12.5/12.527	02

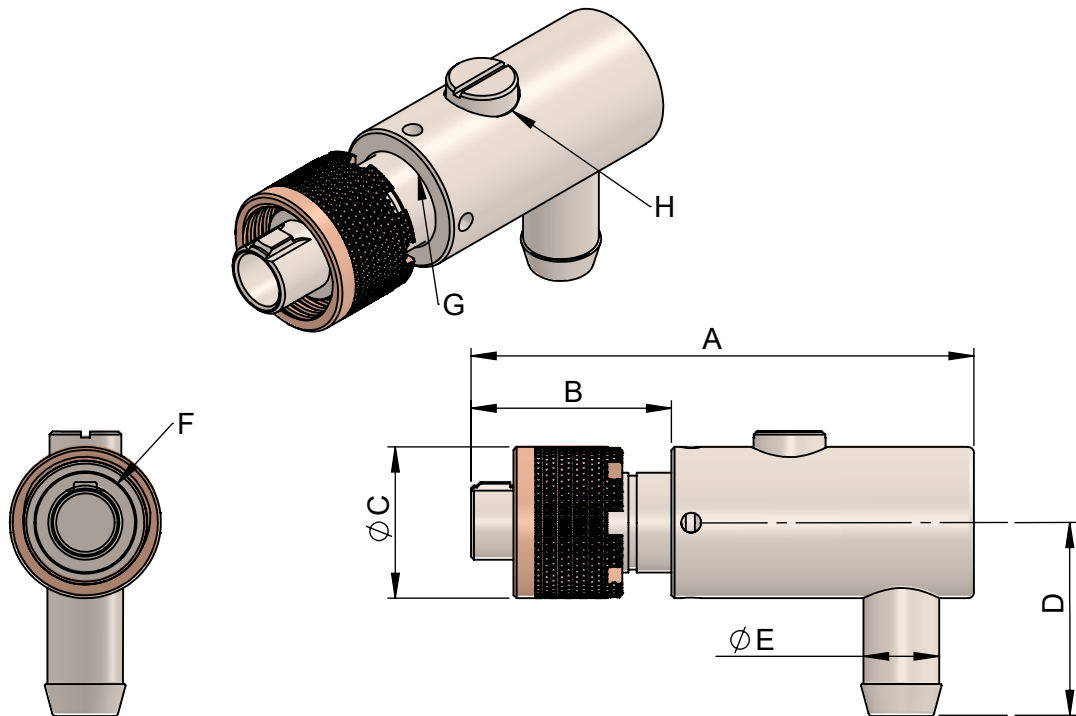
Reference Dimensions 'A' Fibre Connector

Backshell Connector Receptacle (PL)



A	B	C	D	E-'O'Ring	F-'O'Ring	G-'O'Ring	TYPE
85.65	33.65	25	12.5	14.1 x 1.6	BS113	6 x 1.5	01

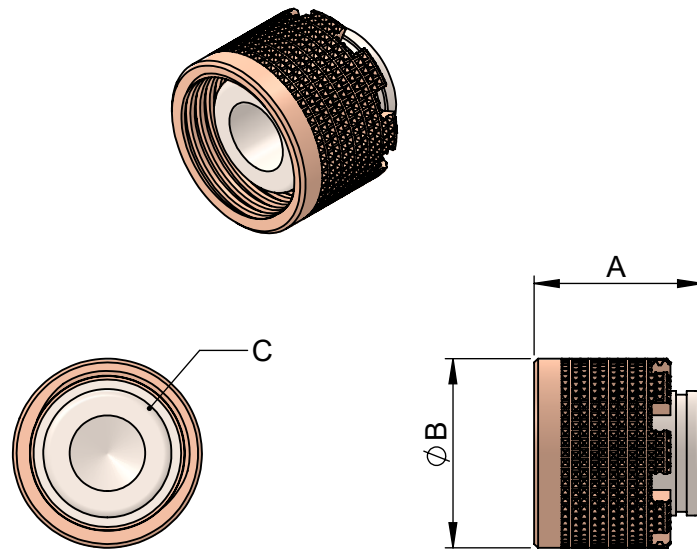
Backshell Connector Receptacle (PR)



A	B	C	D	E	F-'O'Ring	G-'O'Ring	H-'O'Ring	TYPE
83.65	33.65	25	32	12.5	14.1 x 1.6	BS113	6 x 1.5	01

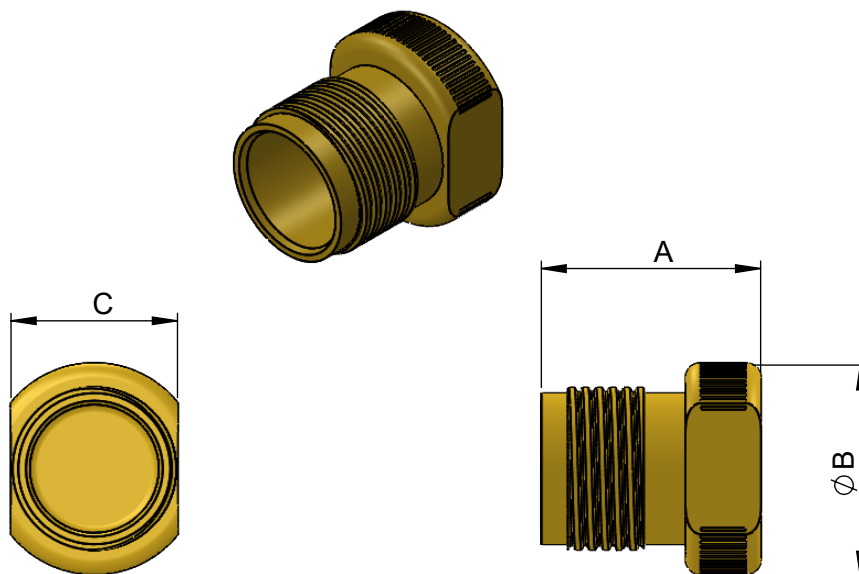
Reference Dimensions 'A' Fibre Connector

Bulkhead Blanking Plug - PLABC



A	B	C-'O'Ring
22.25	25	14.1 x 1.6

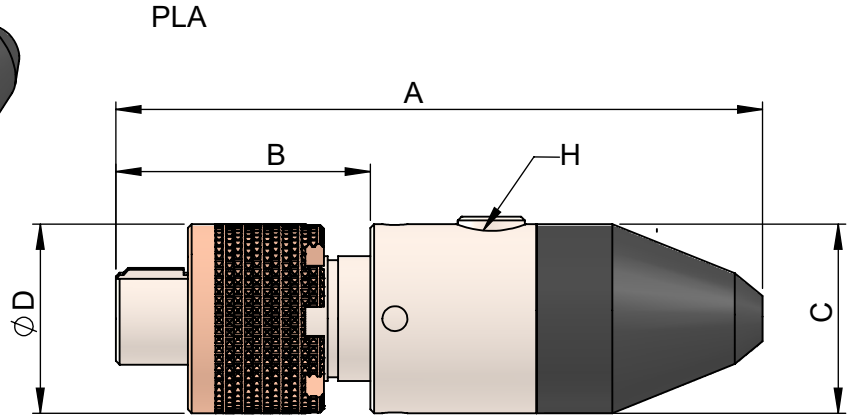
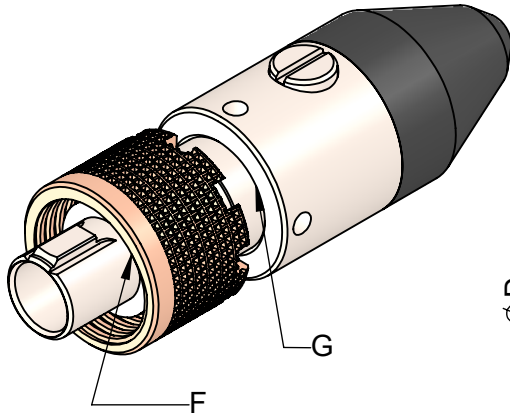
Cable Connector Blanking Plug - BRABC



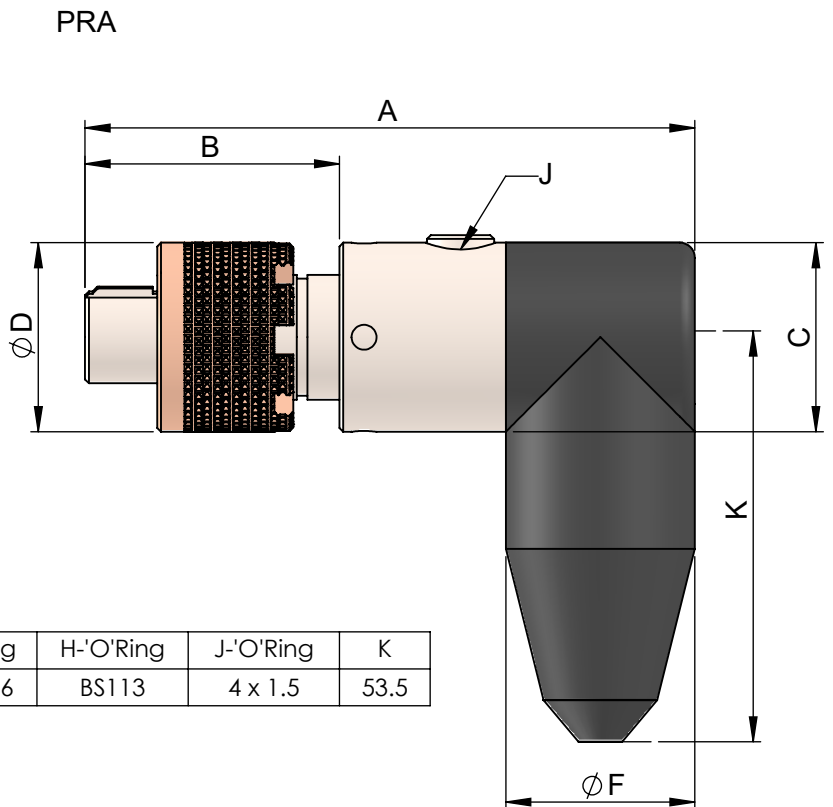
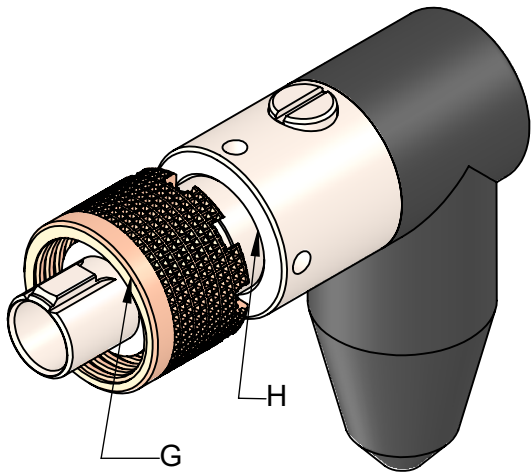
A	B	C
29	26	22

Reference Dimensions 'A' Fibre Connector

Backshell Connector Receptacle - Straight / 90° Moulded



A	B	C	D	E	F-'O'Ring	G-'O'Ring	H-'O'Ring
85	33.65	25	25	25	14.1 x 1.6	BS113	4 x 1.5



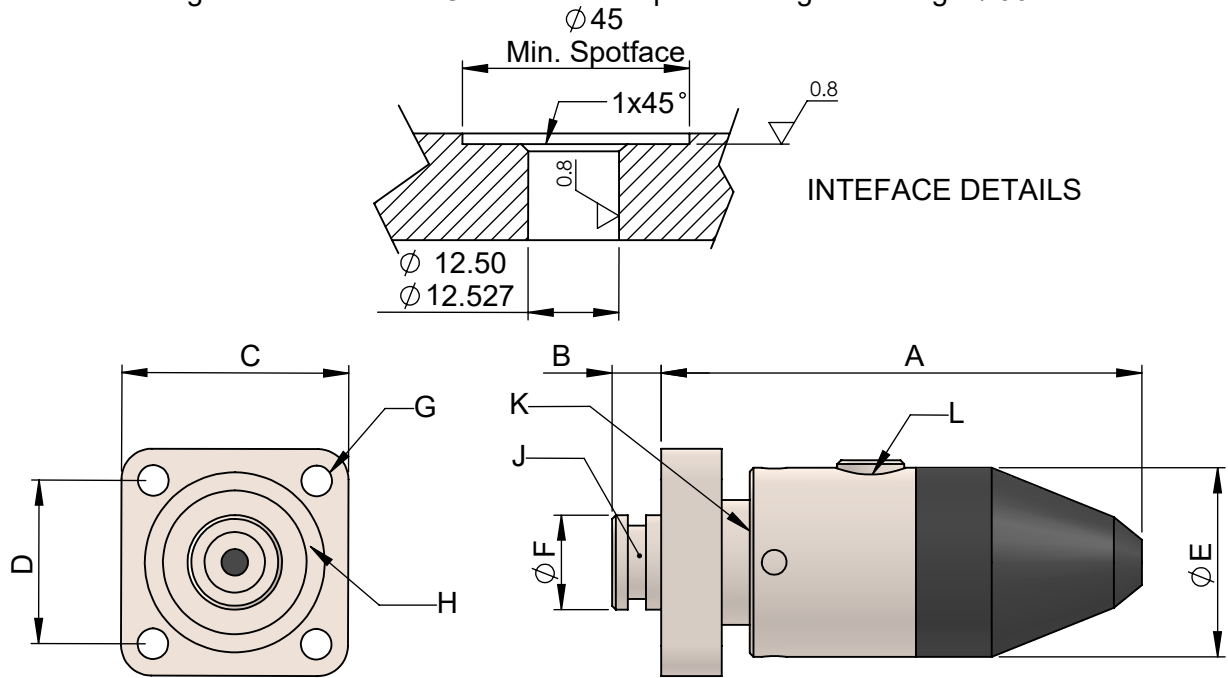
A	B	C	D	E	F	G-'O'Ring	H-'O'Ring	J-'O'Ring	K
80.65	33.65	25	25	53.5	25	14.1 x 1.6	BS113	4 x 1.5	53.5

Mould Sizes Are Indicative

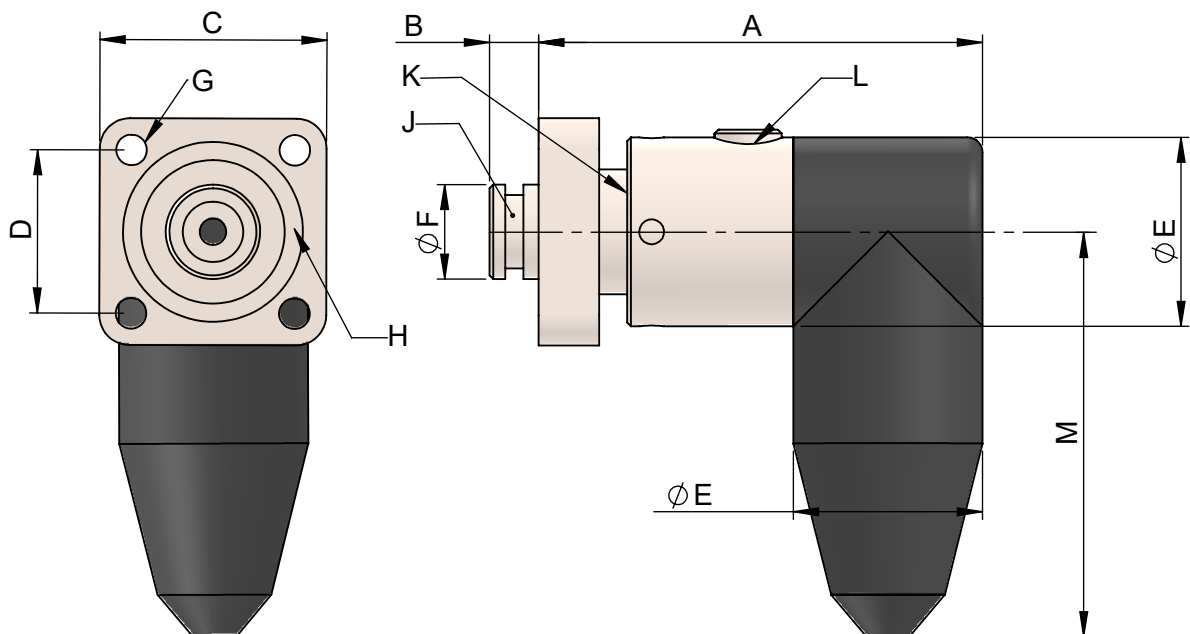
Note: Step files for design purposes available from engineering @CRE-marine.com

Reference Dimensions 'A' Fibre Connector

Single Pass Backshell Connector Receptacle Flanged - Straight / 90° Moulded



A	B	C	D	E	F	G	H-'O'Ring	J-'O'Ring	K-'O'Ring	L-'O'Ring
64	6.5	30	21.6	25	12.5	4.25	BS018	BS012	BS113	4 x 1.5

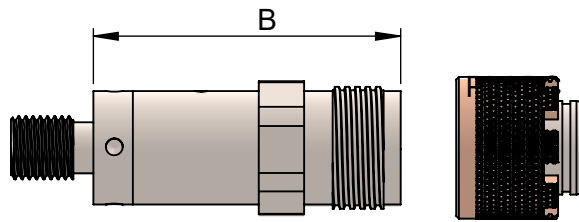


A	B	C	D	E	F	G	H-'O'Ring	J-'O'Ring	K-'O'Ring	L-'O'Ring	M
58.5	6.5	30	21.6	25	12.5	4.25	BS018	BS012	BS113	4 x 1.5	53.5

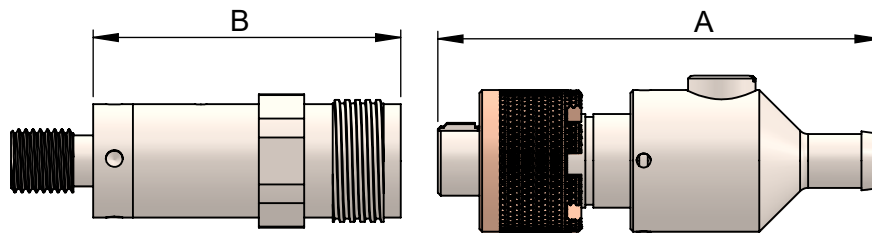
Mould Sizes Are Indicative

Note: Step files for design purposes available from engineering @CRE-marine.com

Assembled Dimensions 'A' Fibre Connector

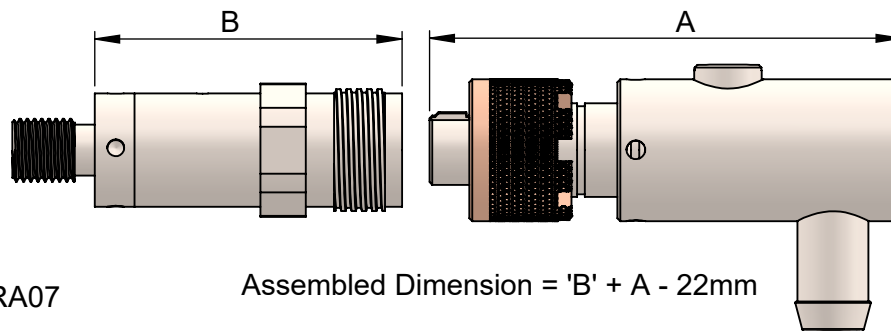


Assembled Dimension = 'B' + 9



Assembled Dimension = 'B' + A - 22mm

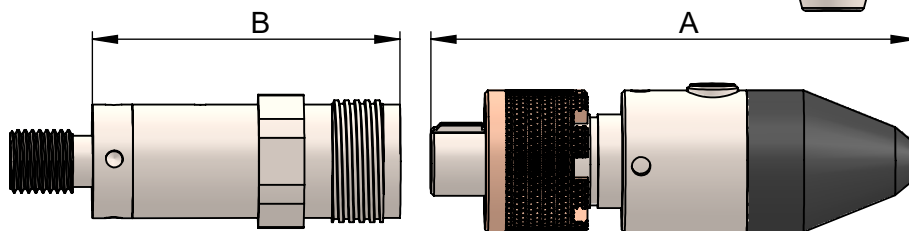
PLAOF01



Assembled Dimension = 'B' + A - 22mm

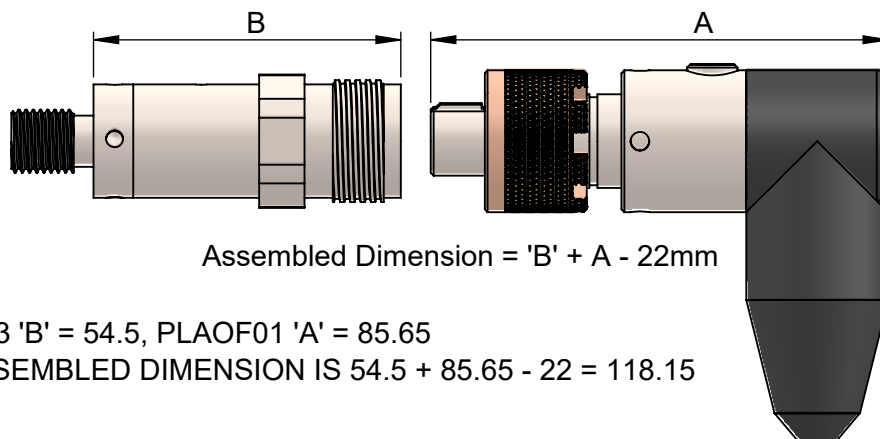
PRAOF01

BULKHEADS BRA01 - BRA07



Assembled Dimension = 'B' + A - 22mm

PLA



Assembled Dimension = 'B' + A - 22mm

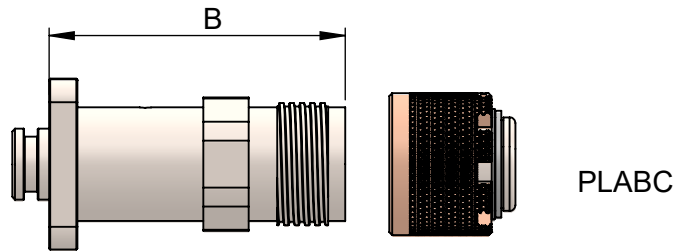
PRA

EXAMPLE: BRA03 'B' = 54.5, PLAOF01 'A' = 85.65
 THEREFORE ASSEMBLED DIMENSION IS 54.5 + 85.65 - 22 = 118.15

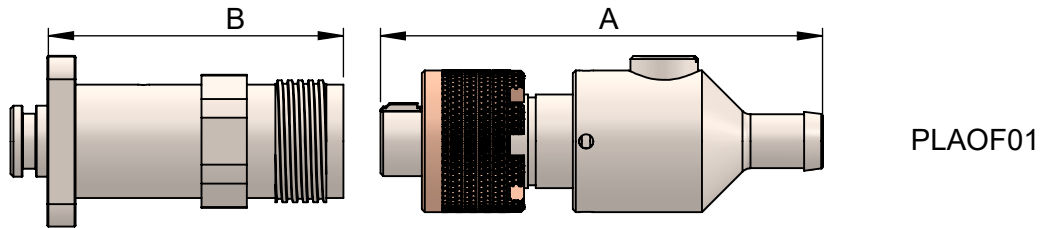
Mould Sizes Are Indicative

Note: Step files for design purposes available from engineering @CRE-marine.com

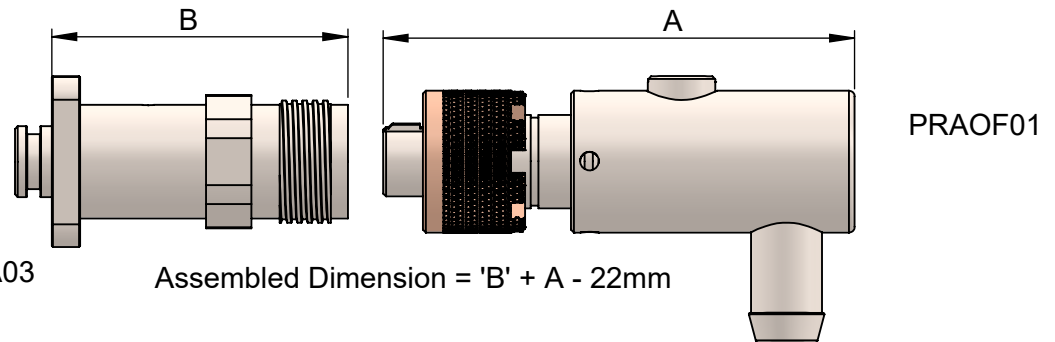
Assembled Dimensions 'A' Fibre Connector



Assembled Dimension = 'B' + 9

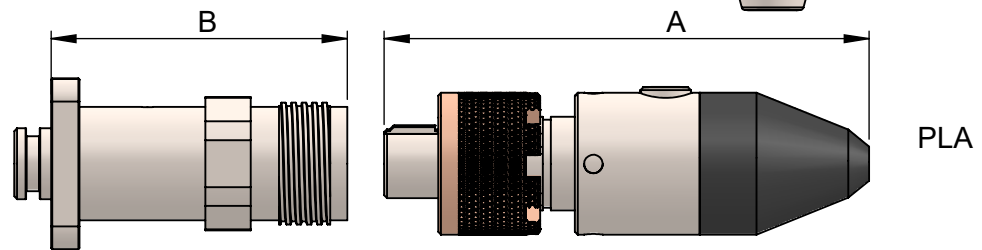


Assembled Dimension = 'B' + A - 22mm

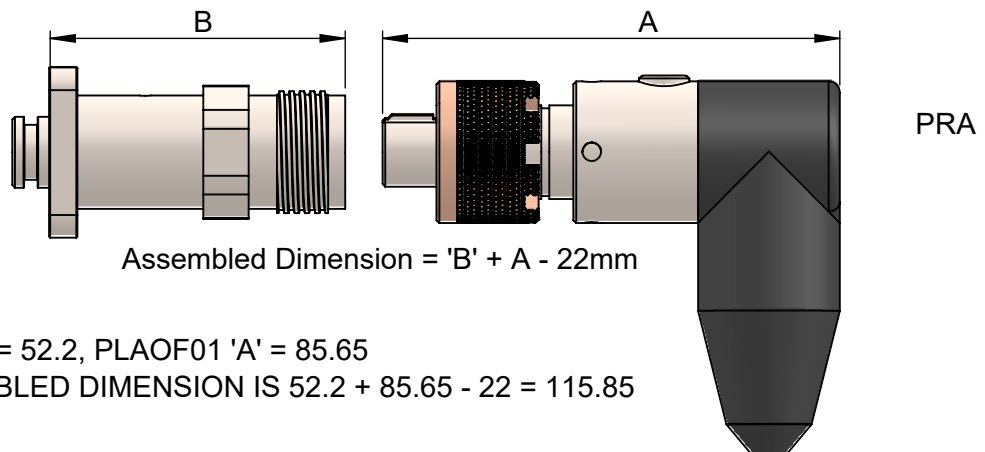


Assembled Dimension = 'B' + A - 22mm

BULKHEADS FRA01 - FRA03



Assembled Dimension = 'B' + A - 22mm



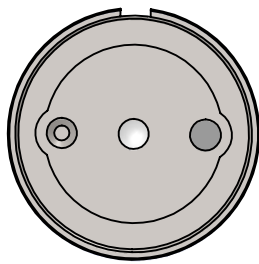
Assembled Dimension = 'B' + A - 22mm

EXAMPLE: FRA02 'B' = 52.2, PLAOF01 'A' = 85.65
 THEREFORE ASSEMBLED DIMENSION IS 52.2 + 85.65 - 22 = 115.85

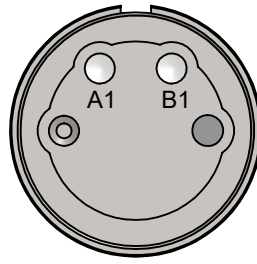
Mould Sizes Are Indicative

Note: Step files for design purposes available from engineering @CRE-marine.com

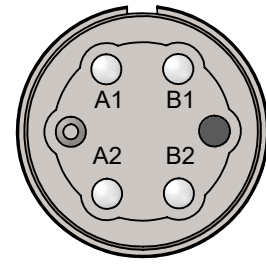
FACE VIEW



1 CHANNEL



2 CHANNEL



4 CHANNEL

FIBRE TYPE-----SM / MM

TAILS WITH CONNECTION TO SUIT-ST/SC ETC.

Recommended Torque figures for threaded Bulkheads and Low Profile Interfaces manufactured in 316L Stainless Steel

THREAD	TORQUE N/m (Lubricated)	Torque Inch Pounds (Lubricated)
7/16-UNF	3-4	30-35
5/8-18 UNF	5-7	50-55
3/4-16 UNF	7-9	60-65
13/16-20 UNEF	9-11	65-70

The table above shows our recommended tightening torque values for the Size 'A' threaded Bulkheads and Interfaces shown in these Datasheets.

We would recommend a small quantity of anti-seize lubricant such as Copaslip is used on the threads as a lubricant to aid the make up process.

CRE also supply Bulkheads manufactured from 6082-T6 Aluminium, Grade 5 Titanium

The same Torque figures can be applied for the Aluminium and Titanium materials.

Should you require any further information or advice then please contact CRE direct.