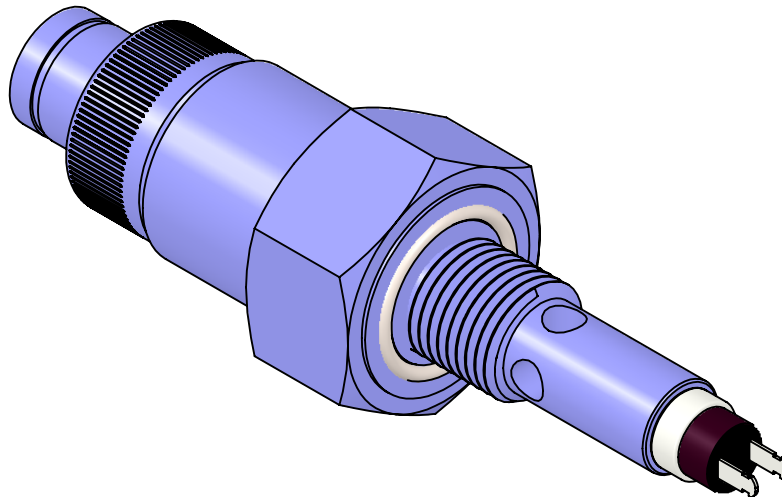


Vacuum Test Port Alarm



Description:

The Vacuum Test Port Alarm is used to provide access for vacuum testing the pod during maintenance and to provide an audible alarm to the operator if the Blanking Cap hasn't been replaced following testing.

Operation:

When the Blanking Cap is unscrewed from the Test Port Assembly, the water alarm plunger is pushed upwards by the compressed spring. This movement allows the switch to make a circuit, setting off the alarm. The vacuum probe can then be fitted and the test carried out on the pod following standard operating procedures.

Once the testing is complete, the probe can be removed, and the Blanking Cap replaced. The alarm will stop as the cap is being screwed into place. Continue to screw the blanking cap until it shoulders completely.

Key Features:

Water depth rating.....4000mts.

Pushbutton Switch:

Rating.....1 Amp @ 120v ac or 28v dc

Recommended Torque - Test Port BCR Alarm Housing

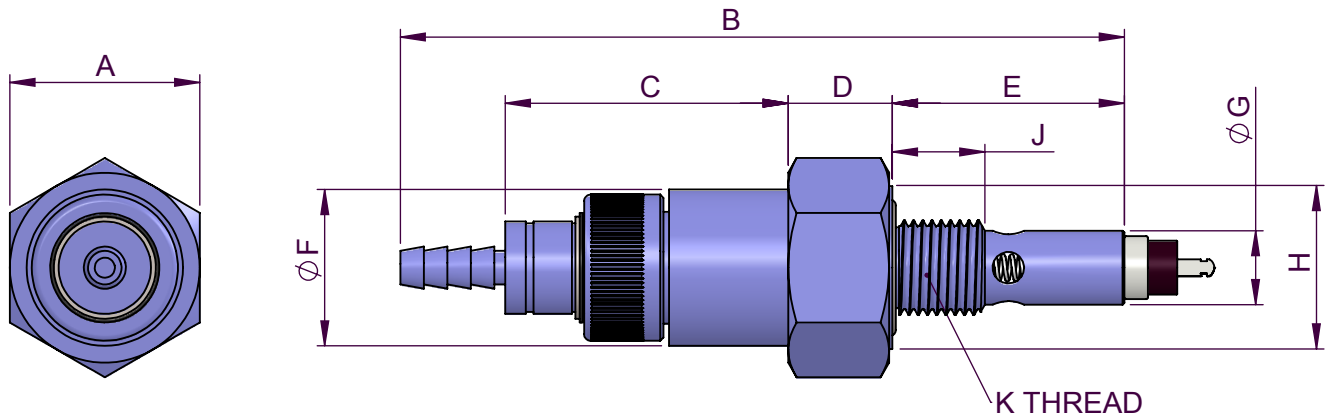
Bulkhead Mounting Torque 9/16-18 UNF

- 100 inch lbs (A size) for installation into metallic housings
- 25 inch lbs (A size) for installation into non-metallic housings

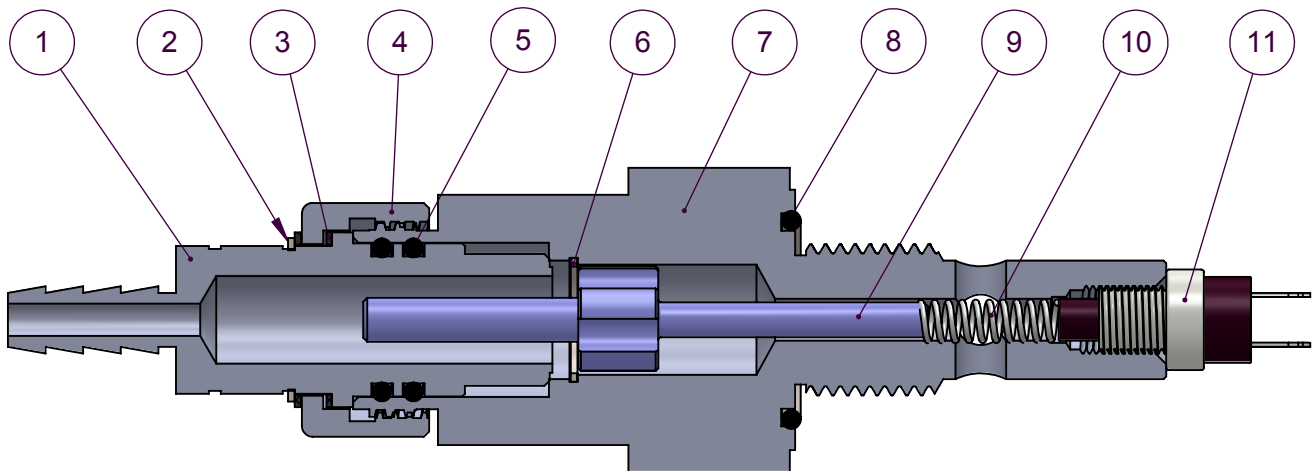
Torque values refer to installation into dry metal threads.

Recommend using a small quantity of Copaslip when screwing together similar materials.

Vacuum Test Port Alarm-BRVS01-AL

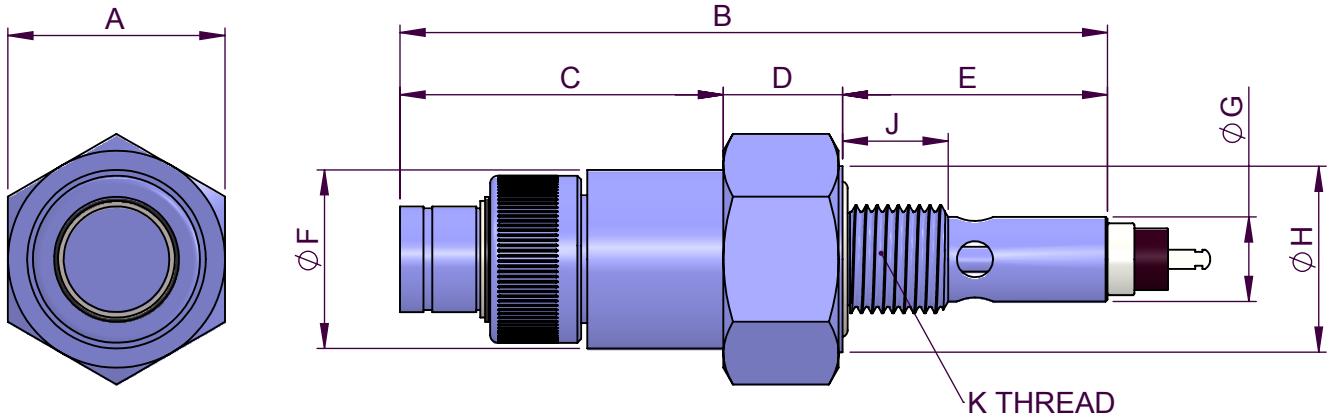


A	B	C	D	E	F	G	H	J	K
1.13 A/F	4.3	1.68	0.62	1.38	0.93	0.44	0.968	0.55	9/16"-18 UNF

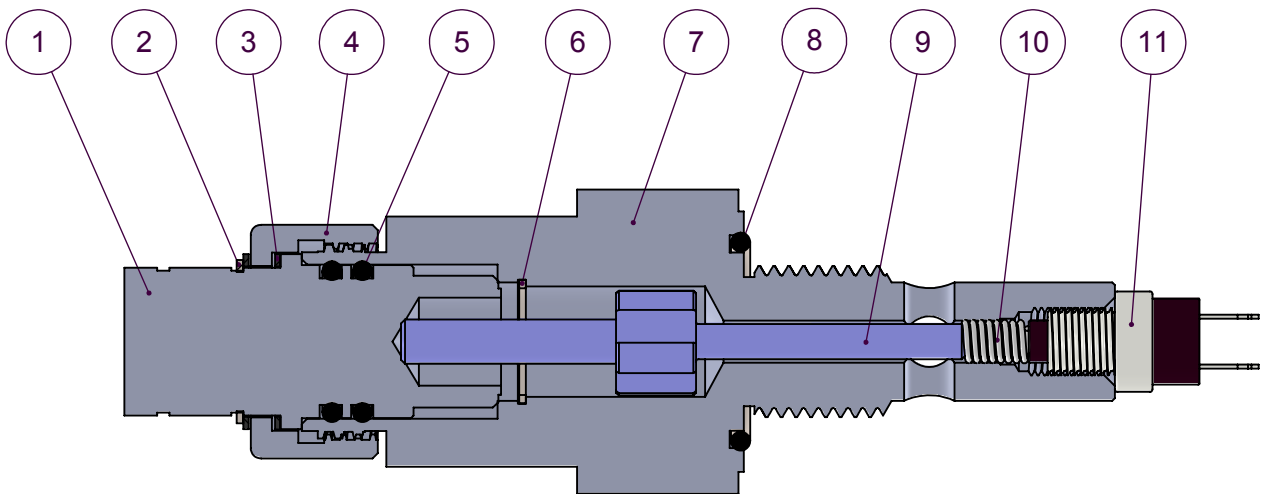


ITEM No	PART NUMBER	DESCRIPTION	QTY
1	CRE-MC1754-MDT	VACUUM PUMP CONNECTOR	1
2	VPS-005	RETAINING RING	1
3	CRE-MC1873-MDT	BACKING WASHER	2
4	CRE-MC1767-MDT	LOCKING COLLAR	1
5	VPS-006	'O' RINGS BUNA N70	2
6	VPS-003	INTERNAL CIRCLIP-STAINLESS	1
7	CRE-MC1753-MDT	BCR WATER ALARM HOUSING	1
8	VPS-004	'O' RING BUNA N70	1
9	CRE-MC1757-MDT	WATER ALARM PLUNGER	1
10	VPS-002	LEE COMPRESSION SPRING	1
11	VPS-001	C&K PUSHBUTTON SWITCH	1

Vacuum Test Port Alarm-BRVS01-AL

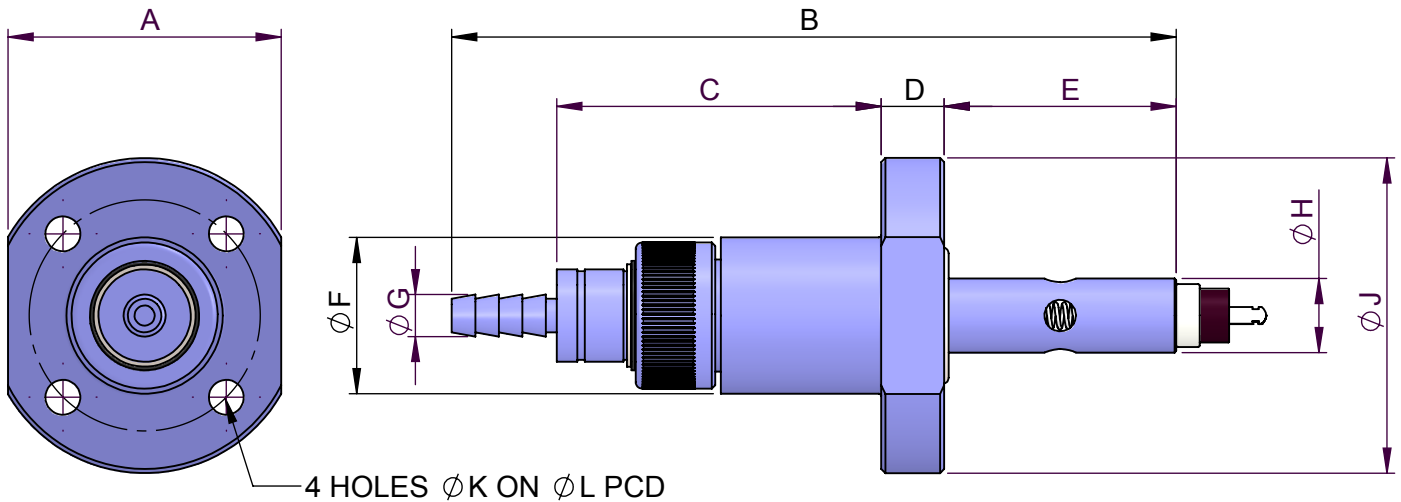


A	B	C	D	E	F	G	H	J	K
1.13 A/F	3.68	1.68	0.62	1.38	0.93	0.44	0.968	0.55	9/16"-18 UNF

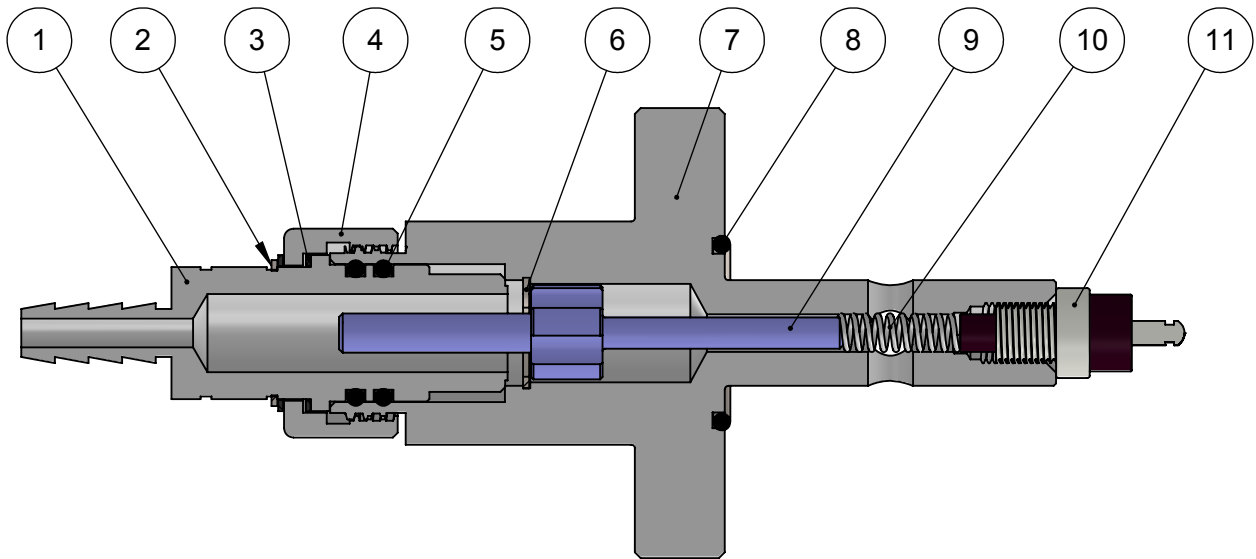


ITEM No	PART NUMBER	DESCRIPTION	QTY
1	CRE-MC1877-MDT	BLANKING PLUG SHELL	1
2	VPS-005	RETAINING RING	1
3	CRE-MC1873-MDT	BACKING WASHER	2
4	CRE-MC1767-MDT	LOCKING COLLAR	1
5	VPS-006	'O' RINGS BUNA N70	2
6	VPS-003	INTERNAL CIRCLIP-STAINLESS	1
7	CRE-MC1753-MDT	BCR WATER ALARM HOUSING	1
8	VPS-004	'O' RING BUNA N70	1
9	CRE-MC1757-MDT	WATER ALARM PLUNGER	1
10	VPS-002	LEE COMPRESSION SPRING	1
11	VPS-001	C&K PUSHBUTTON SWITCH	1

Vacuum Test Port Alarm-FRVS01-AL

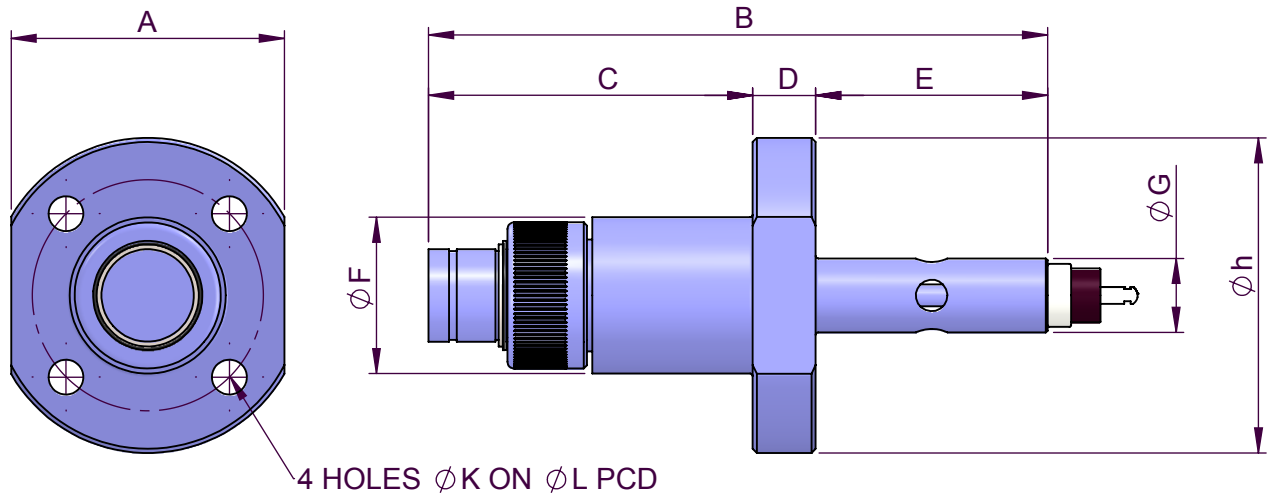


A	B	C	D	E	F	G	H	J	K	L
1.625	4.3	1.93	0.375	1.38	0.93	0.25	0.44	1.875	.208	1.375

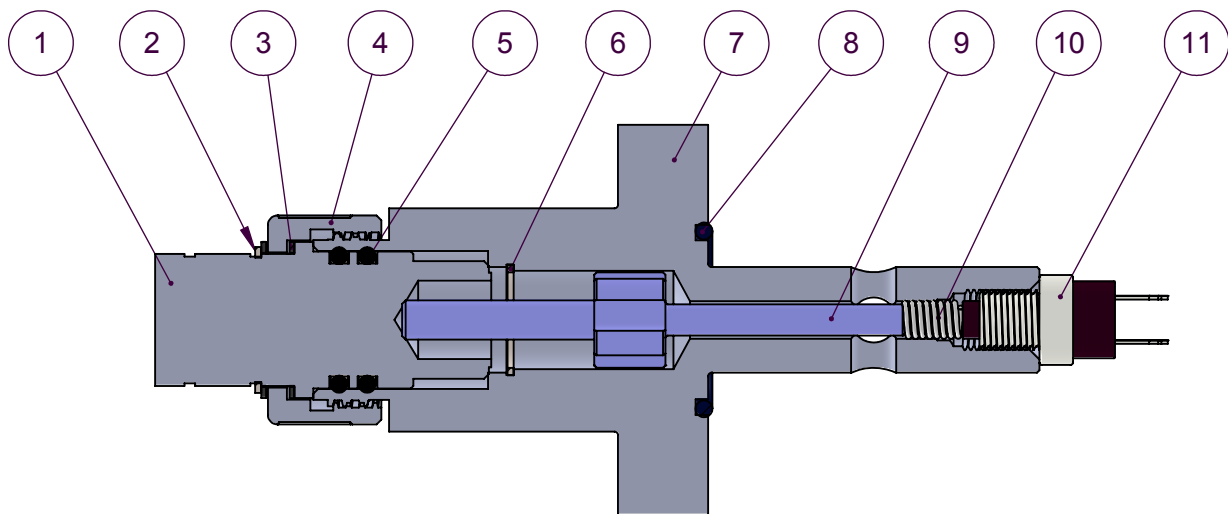


ITEM No	PART NUMBER	DESCRIPTION	QTY
1	CRE-MC1754-MDT	VACUUM PUMP CONNECTOR	1
2	VPS-005	RETAINING RING	1
3	CRE-MC1873-MDT	BACKING WASHER	2
4	CRE-MC1767-MDT	LOCKING COLLAR	1
5	VPS-006	'O' RINGS BUNA N70	2
6	VPS-003	INTERNAL CIRCLIP-STAINLESS	1
7	CRE-MC1752-MDT	FLANGED WATER ALARM HOUSING	1
8	VPS-004	'O' RING BUNA N70	1
9	CRE-MC1757-MDT	WATER ALARM PLUNGER	1
10	VPS-002	LEE COMPRESSION SPRING	1
11	VPS-001	C&K PUSHBUTTON SWITCH	1

Vacuum Test Port Alarm-FRVS01-AL

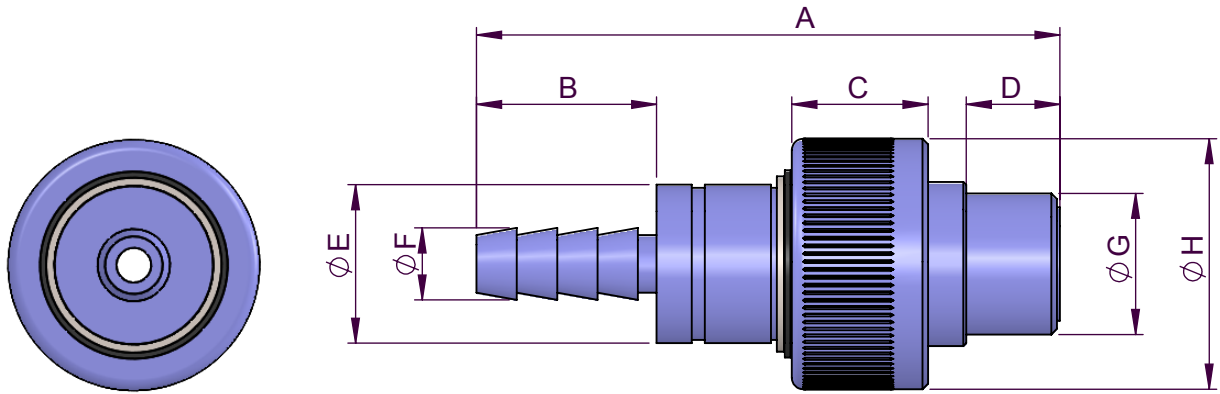


A	B	C	D	E	F	G	H	K	L
1.625	3.69	1.93	0.375	1.38	0.93	0.44	1.875	.208	1.375



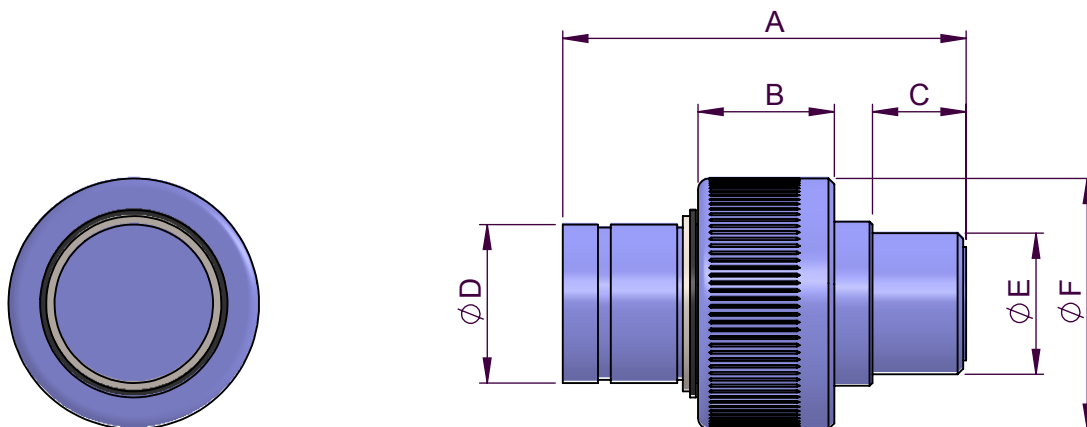
ITEM No	PART NUMBER	DESCRIPTION	QTY
1	CRE-MC1877-MDT	BLANKING PLUG SHELL	1
2	VPS-005	RETAINING RING	1
3	CRE-MC1873-MDT	BACKING WASHER	2
4	CRE-MC1767-MDT	LOCKING COLLAR	1
5	VPS-006	'O' RINGS BUNA N70	2
6	VPS-003	INTERNAL CIRCLIP-STAINLESS	1
7	CRE-MC1752-MDT	FLANGED WATER ALARM HOUSING	1
8	VPS-004	'O' RING BUNA N70	1
9	CRE-MC1757-MDT	WATER ALARM PLUNGER	1
10	VPS-002	LEE COMPRESSION SPRING	1
11	VPS-001	C&K PUSHBUTTON SWITCH	1

Vacuum Connector Assembly-IM1057



A	B	C	D	E	F	G	H
2.025	0.625	0.47	0.325	0.55	0.25	0.49	0.875

Blanking Cap Assembly-CS-MSAJ-SCP



A	B	C	D	E	F
1.4	0.47	0.325	0.55	0.49	0.875